

# Videojet Unicorn<sup>®</sup> II

Large Character Ink Jet Printer

## Ink Jet.

Laser.

Thermal Transfer.

Labelers.

Track & Trace.

Supplies.

Parts & Service.

The Unicorn II is a compact ink jet printer that provides high quality, reliable, and economical printing of one or two lines of text. Whatever your programming needs, the Unicorn II can be programmed quickly and easily. Product names, identification numbers, automatic production counts and accurate-to-the minute time code capabilities are available at the touch of a button.

## Up to two lines of print with built-in multiple languages

- Print one or two lines of text using a variety of selectable languages and printable characters
- Marks cartons and provides production information vital for inventory and quality control
- Easy-to-use icon keys allow you to adjust and edit product codes with a few simple keystrokes
- Menu-driven programs include electronically accurate automatic date change, clock functions, and consecutive counts



## Most economical cost per code solution

- Delivers an all-in-one, low cost solution from high ink mileage and low maintenance requirements
- Hard-working design provides outstanding reliability and unsurpassed performance

## Out of the box and on the job in minutes

- Can be assembled and installed in minutes; simply plug it in and you are ready to print
- Mounted directly to a conveyor, it includes: controller/keypad, printhead, power pack, power cord, mounting brackets and a pressurized ink bottle

**VIDEOJET**  
Uptime Peace of Mind<sup>®</sup>

VIDEOJET UNICORN II  
DUAL LINE



## System Includes

Controller/Input Device; Printhead; Universal Power Supply; Mounting Bracketry and a bottle of Porous Ink

## Built-in Software Features

Customized time and date codes  
Rollover hour  
Expiration date for automatic printing  
Shift organizer for automatic coding by particular shifts (up to 4 shifts)  
Print delay for message placement  
Character width adjustment  
Variable speed or fixed speed printing  
Consecutive incremental numbering

## Operating Languages

Dutch, English, Finnish, French, German, Italian, Portuguese, Spanish, Swedish, Norwegian, Turkish, Hungarian  
Additional printable characters: Cyrillic, Arabic, Hebrew, Polish  
Special application units include: Japanese, Korean, Simplified Chinese; Traditional Chinese, Thai

## Print Heights

Standard Print Height: 1 inch (25mm)  
Optional Heights: ¾ inch (20 mm), 1 ¼ inches (32mm), 1.9 inches (48mm)

## Character Fonts

7x5 dot matrix, 16x16 dot matrix

## Conveyor Line Speed

20 feet/min. (6.1 m/min.) to 200 feet/min. (61.0 m/min.)

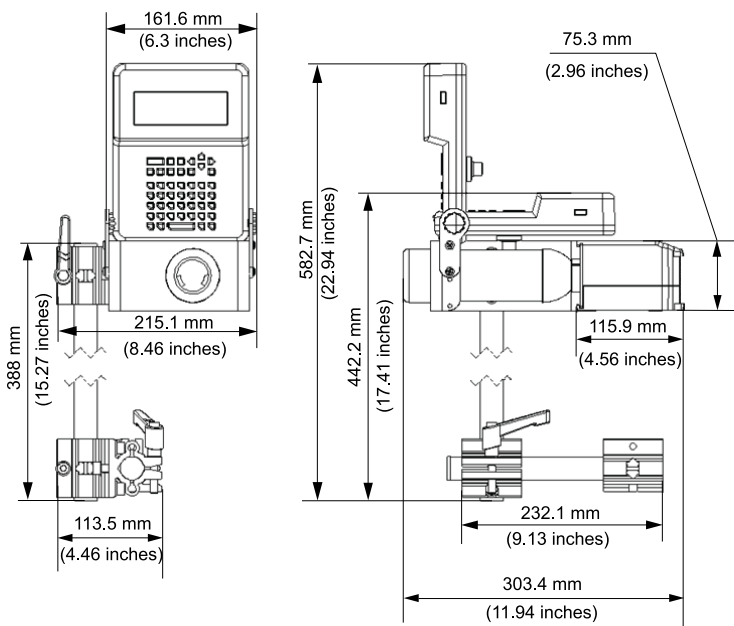
## Message Length

Up to 40 characters of 16 dot font or two 80 character rows of 7 dot font

## Message Storage Capacity

Up to 40 messages

## Dimensions



## Operating Temperature Range

40°F to 120°F (4°C to 49°C)

## Electrical

System uses a universal switching power supply. 100/240VAC 50/60Hz

## Print Sensor

Internal sensors included; external sensor is optional

## Ink System

Internally regulated ink system; factory set; no adjustment necessary

## Ink

8 oz. (0.23 liter) bladder pressurized, non-aerosol ink bottle  
Optional Bulk Ink option (5 gal.) available; ADS Ink System required

## Shipping Weight

11.45 lbs. (5.19 kg)

## Mounting Bracketry

15 and 9 inch (38.9 and 22.8cm) tubing with 1 inch (2.54cm) outside diameter (OD)  
Optional hand levers can be installed for simple up/down and in/out adjustments

## Optional Bracketry for Special Installations

Long Reach Bracket Kit available for special mounting situations  
Remote Bracket Assembly Kit enables printhead to be mounted remotely from controller

CERTIFIED  
ISO 9001  
DOCUMENTED QUALITY

